

April 18, 1933.

H. ESTEROW
FOUNTAIN PEN CLIP
Filed May 10, 1932

1,904,212

Fig. 1.

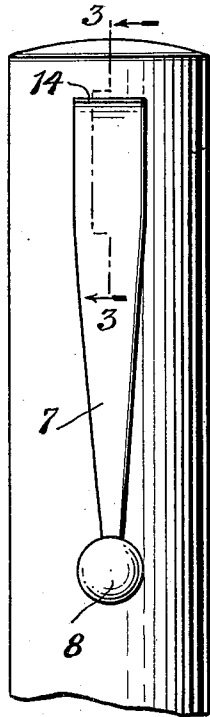


Fig. 2.

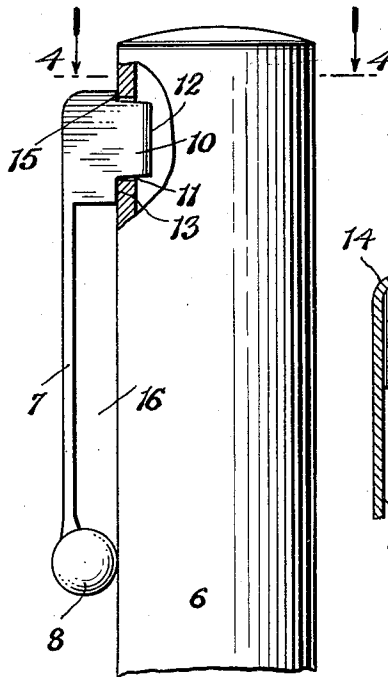


Fig. 3.

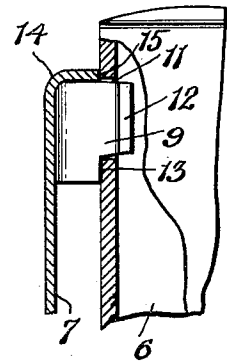


Fig. 4.

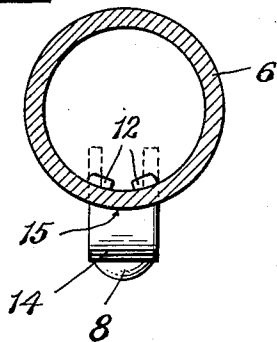
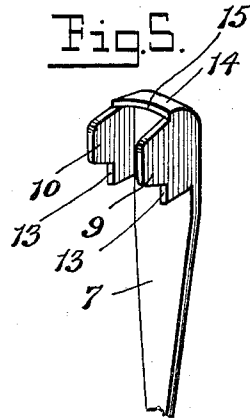


Fig. 5.



Inventor

Harry Esterow
By *his* Attorney
Harry Radzinsky

UNITED STATES PATENT OFFICE

HARRY ESTEROW, OF NEW YORK, N. Y.

FOUNTAIN PEN CLIP

Application filed May 10, 1932. Serial No. 610,340.

This invention relates to an improvement in clips intended for use upon fountain pens, pencils, and other articles, for the purpose of holding such articles securely in the pocket of the owner.

The object of this invention is to provide a means for attaching the fountain pen clip to the cap of the fountain pen, or body of the pencil, or other object.

The specific object of the invention is to attach a clip of the character described in such a position on the fountain pen cap, or the like, that parts of the clip are not likely to injure or damage the cloth of the pocket of the wearer, yet the clip will securely grip the pocket to prevent the fountain pen or other article from being inadvertently disengaged therefrom.

In the drawing Fig. 1 is a front elevation of a part of a fountain pen cap or other tubular object with the improved clip attached to the same; Fig. 2 is a side elevation, partly in section showing the manner in which the clip is attached; Fig. 3 is a sectional view on the line 3—3 of Fig. 1, looking in the direction of the arrows; Fig. 4 is a sectional view on the line 4—4 of Fig. 2, looking in the direction of the arrows; and Fig. 5 is a perspective view of the upper part of the clip before the same is attached to a fountain pen cap or the like.

In the embodiment of my invention disclosed in the accompanying drawing, 6 indicates the body of a fountain pen cap or of some other similar tubular part of a pencil, or other object, to which my improved clip is adapted to be attached. The clip is provided with a tongue-like resilient body portion 7 which may be shaped in any desired ornamental outline, and which is provided at its lower end with the conventional gripping member, such as a ball 8. The clip is preferably made of sheet metal and is provided with a pair of integrally formed, rearwardly bent, parallel tongues 9 and 10 which extend through a pair of parallel slots 11 provided in the cap 6 to receive them. These tongues 9 and 10 are projected within the cap 6 as disclosed in dotted lines in Fig. 4, and are thereafter bent over toward one another as

disclosed at 12, in the same figure, to securely affix the clip in position on the cap.

The form of clip disclosed is adapted to be held with its body portion 7 substantially parallel with the face of the cap 6 so that the fabric of the pocket may easily enter into the space between the tongue 7 and the face of the cap without being subjected to unnecessary frictional contact with the tongue 7. In order to hold the tongue 7 suitably positioned relative to the cap I space the part 7 uniformly for its entire length from the cap by providing the tongues 9 and 10 with shoulders 13 located at the lower ends of these tongues. In addition the upper end of the body portion or tongue 7 is bent inwardly as at 14 and the inner edge 15 of said inwardly bent portion acts as an upper shoulder at the upper end of the tongues 9 and 10 to also abut against the face of the cap as clearly shown in Figs. 2 to 4 inclusive.

The several shoulders, located at 13 and 15, act to hold the body of the tongue 7 uniformly spaced from the face of the cap 6 and provide a uniform and substantially wide space 16 into which the fabric of the pocket can project and against which the face of the tongue 7 will not bear with unnecessary friction. At the same time, the straight line characteristics of the body 7 of the clip are preserved and the appearance of the clip is maintained in accordance with the prevailing modernistic trend.

To enable a snug fit of the clip against the body of the cap the inner end or shoulder 15 is preferably curved to conform to the contour of the fountain pen cap or other tubular object to which the clip is secured.

What I claim is:—

1. A fountain pen clip having a tongue-like body portion, the upper end of which is inwardly bent and abuts against the face of a tubular object to which the clip is attached, the edge of said inwardly bent portion being shaped to conform to the face of the object to which the clip is attached, a pair of tongues extending rearwardly from the tongue-like body portion and projecting into the body of the tubular object, and shoulders formed on said tongues and cooperating with the

upper inwardly bent end of the body portion to hold the body portion of the clip uniformly spaced from the object to which the clip is attached and substantially parallel thereto.

5 2. A fountain pen clip having a tongue-like body portion, the upper part of which is provided with an upper end and side laterally extending walls, the lateral side walls carrying extensions forming a pair of
10 tongues and defining shoulders, with the tongues extending through a tubular object and bent over the same, the shoulders and free edge of the upper end wall being situated
15 respectively below and above the tongues, said shoulders and upper end wall abutting against the face of the object to which the clip is attached, the tongue-like body portion of the clip extending downward from its
20 attached end on a straight line parallel to the face of the object on which the clip is secured.

3. In a clip of the character described, wherein a tongue-like body portion is adapted to normally lie parallel with a carrying
25 member, and wherein the free end of the clip carries a ball knob for engagement with the carrying member with the ball knob adapted for point contact with an object
30 to which the clip is attached, the tongue-like body portion being provided on its attached end with laterally extending walls, one of said walls being at the upper terminal end of the clip, two of said walls carrying lip
35 extensions defining shoulders lying in the plane of the edge of the aforesaid end wall and adjacent side of the ball knob, the shoulders and last named wall abutting the carrying member to space the tongue-like body
40 portion parallel with the carrying member and said carrying member having openings therein to receive and retain the lip extensions.

Signed at the city, county and State of
45 New York, on this 9th day of May, 1932.

HARRY ESTEROW.

50

55

60

65