

Feb. 24, 1931.

W. GUYOT

1,793,610

DESK SET RECEPTACLE

Original Filed Jan. 26, 1926

Fig. 1.

1

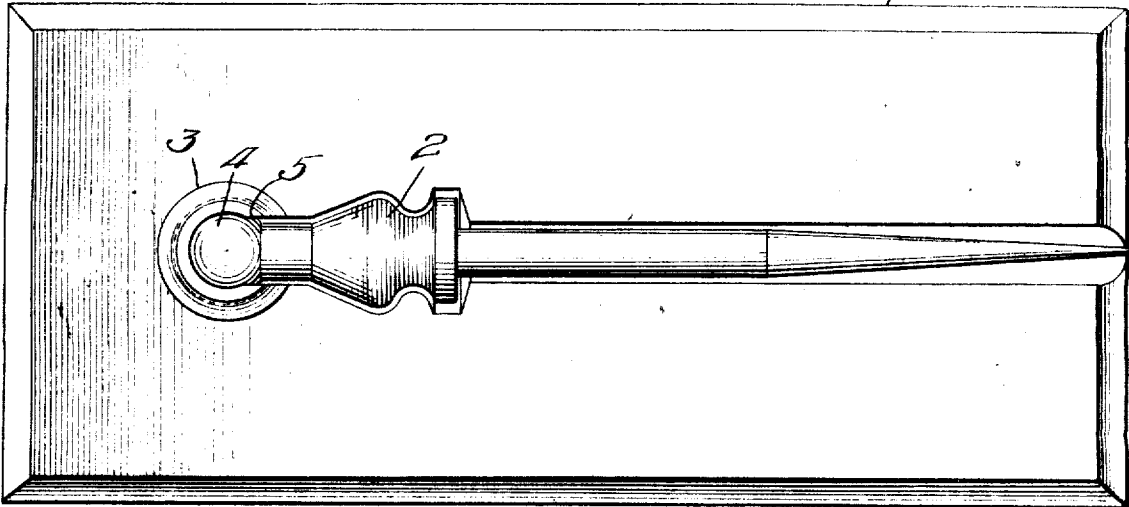
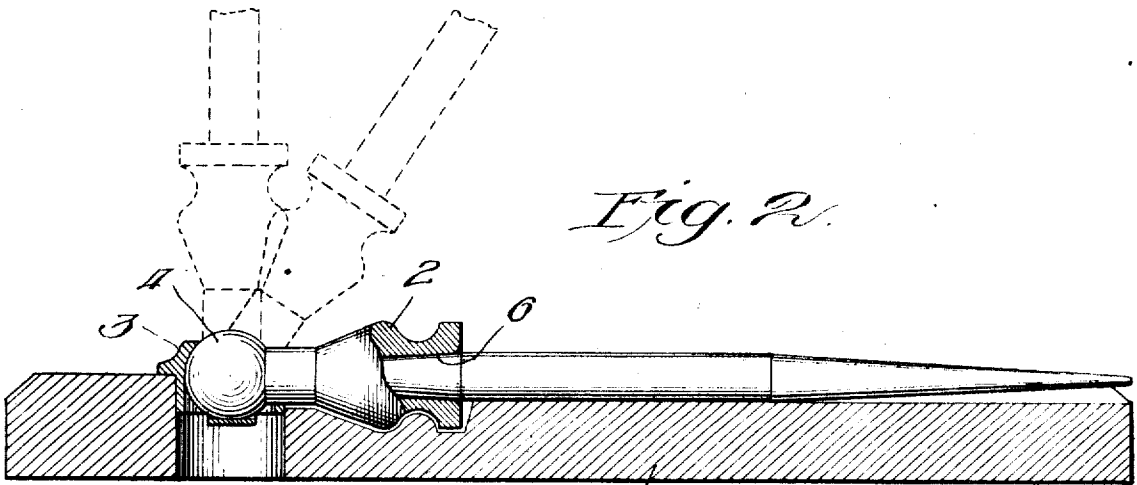


Fig. 2.



1

Fig. 3.

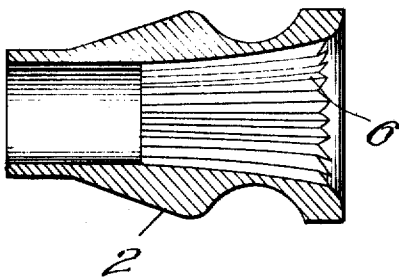
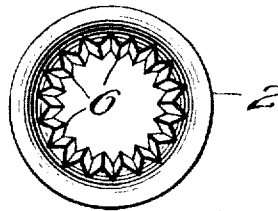


Fig. 4.



Inventor:
Walter Guyot.

By *Rector, Hibben, Davis & Macaulay, Attys*

UNITED STATES PATENT OFFICE

WALTER GUYOT, OF JANESVILLE, WISCONSIN, ASSIGNOR TO THE PARKER PEN COMPANY, OF JANESVILLE, WISCONSIN, A CORPORATION OF WISCONSIN

DESK-SET RECEPTACLE

Original application filed January 26, 1926, Serial No. 83,857. Divided and this application filed February 25, 1929. Serial No. 342,559.

My invention relates generally to desk sets for supporting fountain pens, and has to do particularly with a desk set which includes a receptacle for receiving and holding the pen. One form of such a desk set is disclosed in my application, Serial No. 83,857, filed January 26, 1926, for desk set, of which this application is a division.

One of the objects of my invention is to provide means within the pen-receiving receptacle for reducing to a minimum the liability of ink being transferred from the receptacle onto the pen holder.

Another object is to provide a pen-receiving receptacle having a plurality of corrugations or ribs for accomplishing the foregoing, the arrangement being such that speedy drying of any ink which may be deposited upon the ribs or corrugations is insured.

Other objects and advantages will become apparent as this description progresses and by reference to the drawings wherein,—

Figure 1 is a top or plan view of one form of desk set structure embodying my invention;

Fig. 2 is a side view, partly in section, of the structure shown in Fig. 1;

Fig. 3 is a longitudinal sectional view of the pen-receiving receptacle; and

Fig. 4 is a plan view of the outer end of the pen-receiving receptacle.

The desk set which I have chosen to illustrate my invention includes a base 1 and a pen-receiving receptacle 2. The pen-receiving receptacle is mounted upon the base for various swinging movements relative thereto by means of a socket 3 carried by the base and a ball 4 mounted upon the inner end of the receptacle. A recess 5 is formed in one side of the socket 3 to permit the pen-receiving receptacle 2 to be moved to a horizontal position as shown in Fig. 1.

It will be apparent from the foregoing description that, with a device of this character, it is possible to have the pen lying down on the base so that it can be conveniently and safely placed within a desk when it is to be closed down. At the same time, by mounting the pen-receiving receptacle in the manner described, it is possible for the pen to be

moved to any angle that suits the convenience of the user.

There is the possibility at times of ink from the pen getting onto the receptacle wall. In case that should happen, and to provide against such ink being smeared on the pen holder so as to stain the hands of the user, I construct the pen-receiving receptacle as follows: The receptacle is provided with a deep socket, the lower portion of which accommodates the pen point (Figs. 2 and 3). The upper portion of the receptacle is flared and provided with a plurality of uniformly spaced ribs 6 forming a uniformly grooved or corrugated surface extending longitudinally of the socket. Obviously, these corrugations or ribs reduce to a minimum the liability of ink being transferred from the pen-receiving receptacle onto the pen holder, and the arrangement of the ribs is such that speedy drying of any loose ink which may be deposited upon the ribs or corrugations is insured.

While I have shown and described only one form of my invention, it is to be understood that other changes in details and arrangements of parts may be made without departing from the spirit and scope of my invention as defined by the claims which follow.

I claim:

1. In a desk set, a base, a pen-receiving receptacle having a deep socket the lower portion of which accommodates the pen point and the upper portion of which is provided with a multiplicity of ribs extending longitudinally of the socket.

2. In a desk set, a base, a pen-receiving receptacle having a deep socket the lower portion of which accommodates the pen point and the upper portion of which is flared and is provided with a multiplicity of small uniformly spaced grooves extending longitudinally of the socket.

3. In a desk set, a base, a pen-receiving receptacle having a deep socket the lower portion of which accommodates the pen point and the upper portion of which is of irregular shape for reducing the contact area between the pen-holder and the upper portion of said socket to a plurality of circumferentially spaced points.

15. In a tube expander, a housing, a con-
ceptacle having a deep socket the lower por-
tion of which accommodates the pen point
and the upper portion of which is provided
5 with means extending along its length for
aiding quick drying of any ink that may be
deposited upon the upper portion of said
socket.

10 In testimony whereof, I have subscribed my
name.

WALTER GUYOT.

15. In a tube expander, a housing, a con-
ceptacle having a deep socket the lower por-
tion of which accommodates the pen point
and the upper portion of which is provided
with means extending along its length for
aiding quick drying of any ink that may be
deposited upon the upper portion of said
socket.

In testimony whereof, I have subscribed my
name.

WALTER GUYOT.

CERTIFICATE OF CORRECTION.

Patent No. 1,793,610.

Granted February 24, 1931, to

WALTER GUYOT.

It is hereby certified that error appears in the printed specification of the
above numbered patent requiring correction as follows: Page 2, line 1, claim
4, strike out "15. In a tube expander, a housing, con-" and insert instead
4. In a desk set, a base, a pen-receiving re-; and that the said Letters Patent
should be read with this correction therein that the same may conform to the
record of the case in the Patent Office.

Signed and sealed this 14th day of April, A. D. 1931.

M. J. Moore,
Acting Commissioner of Patents.

(Seal)

45

50

55

60

65

CERTIFICATE OF CORRECTION.

Patent No. 1,793,610.

Granted February 24, 1931, to

WALTER GUYOT.

It is hereby certified that error appears in the printed specification of the above numbered patent requiring correction as follows: Page 2, line 1, claim 4, strike out "15. In a tube expander, a housing, coni-" and insert instead 4. In a desk set, a base, a pen-receiving re-; and that the said Letters Patent should be read with this correction therein that the same may conform to the record of the case in the Patent Office.

Signed and sealed this 14th day of April, A. D. 1931.

(Seal)

**M. J. Moore,
Acting Commissioner of Patents.**