

No. 764,227.

PATENTED JULY 5, 1904.

A. EBERSTEIN.
FOUNTAIN PEN.

APPLICATION FILED APR. 21, 1904.

NO MODEL.

Fig. 1.

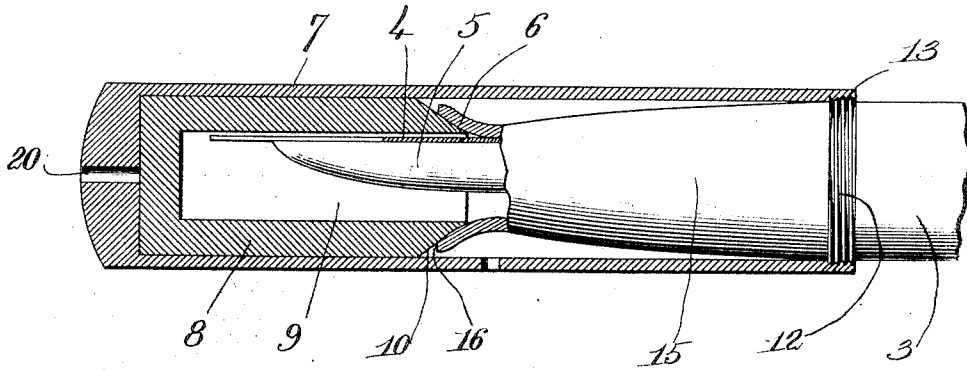
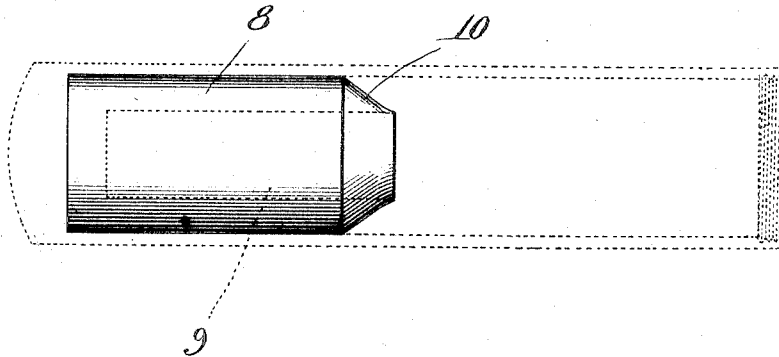


Fig. 2.



Witnesses.
Thomas J. Drummond.
Warren K. Owen

Inventor.
August Eberstein,
by Stanley Gregory. attys.

UNITED STATES PATENT OFFICE.

AUGUST EBERSTEIN, OF WINTHROP, MASSACHUSETTS, ASSIGNOR OF
ONE-HALF TO CHARLES BRANDT, OF BOSTON, MASSACHUSETTS.

FOUNTAIN-PEN.

SPECIFICATION forming part of Letters Patent No. 764,227, dated July 5, 1904.

Application filed April 21, 1904. Serial No. 204,198. (No model.)

To all whom it may concern:

Be it known that I, AUGUST EBERSTEIN, a citizen of the United States, residing at Winthrop, county of Suffolk, State of Massachusetts, have invented an Improvement in Fountain-Pens, of which the following description, in connection with the accompanying drawings, is a specification, like numerals on the drawings representing like parts.

This invention has for its object to provide a novel device to be used in connection with fountain-pens which will prevent the pen from leaking when it happens to be turned bottom side up and will also prevent the pen from "sweating," as it is called.

A pen which has my improvements applied thereto, therefore, is never inky or soiled around that part of the holder with which the fingers come in contact in writing. I accomplish this result by providing a supplemental cap which is adapted to be placed within the ordinary cap of the pen, said supplemental cap having a pen-receiving pocket and being shaped at its end to enter and fit within the tapering end of the barrel.

When the regular cap is provided with my improvements and is applied to the penholder, the pen-point is inclosed within the chamber of the supplemental cap, and as the latter fits against the end of the holder with a tight joint it is impossible for any ink to escape from the supplemental cap into the main cap, thereby to soil the holder.

In the drawings, Figure 1 is a sectional view through one end of a fountain-pen, showing my improvements applied thereto. Fig. 2 is a side view of my improved cap, the main cap in which the supplemental cap is used being shown in dotted lines.

3 designates the holder of a fountain-pen, 4 the pen-point, and 5 the feed-bar. These parts may be of any suitable or usual construction.

The form of holder herein shown has its pen end flared outwardly, as at 6, thereby forming an annular recess or groove between the end of the holder and the pen proper, said flared-out portion having a less diameter than the interior diameter of the cap 7, so that

when the cap is on a space exists between the cap and the flange 6. Within the main cap 7 is a supplemental cap 8, which has the pocket or chamber 9 of a size to receive the pen-point 4 and is tapered at its end, as at 10, to enter and fit within the flared portion 6 of the holder, as best seen in Fig. 1. The supplemental cap 8 is entirely independent from the main cap 7 and, preferably, is of a size to closely fit within said main cap.

I prefer to provide the body of the holder with screw-threads 12, with which interior screw-threads 13 on the main cap 7 engage when the cap is in place. The supplemental cap 8 preferably will fit within the main cap 7 sufficiently tight so that it will be held therein by friction. The placing of the main cap over the pen causes the supplemental cap to inclose the pen-point 4, and the screwing of said main cap onto the screw-threaded portion 12 of the holder brings the tapered portion 10 of the supplemental cap hard against the interior of the flanged portion 6 of the holder, thereby making an absolutely tight joint.

If by accident the pen should be turned bottom side up when it is thus closed, the ink cannot escape into the main cap, but will be held entirely in the supplemental cap, and therefore the portion 15 of the holder with which the fingers contact in using the pen is kept perfectly dry.

There is a special advantage in making the supplemental cap with the tapering end 10, which enters within the flared portion 6 of the holder, or in so constructing the parts that the line of contact between the supplemental cap and the holder is on the interior of the holder rather than on its end or its exterior, because where the line of contact is just on the interior the ink cannot by any possibility get over the edge 16 of the holder end. There is also a special advantage in making the supplemental cap entirely independent from the main cap, for by so doing said supplemental cap can have a very slight movement within the main cap sufficient to enable it to be properly centered when the main cap is applied to the holder. It will be readily seen that where the

supplemental cap is rigid with the holder it might be difficult to get a tight joint all the way around, as the supplemental cap might contact with one side of the flared portion 6 before it did with the other.

20 designates a hole in the end of the cap 7, through which air may be blown or a small wire or other implement inserted to force the supplemental cap 8 out of the main cap whenever it is desired to remove said supplemental cap.

My improvement is such that it can be applied to almost any style of pen by simply making the supplemental cap 8 of the proper shape and size to fit the interior of the cap of the pen and to enter and fit within the end 6 of the holder.

I wish it understood that various changes in the construction and arrangement of the parts may be resorted to without departing from the invention which is expressed in the appended claims.

Having described my invention, what I claim as new, and desire to secure by Letters Patent, is--

1. In a fountain-pen, a holder provided with screw-threads and having an outwardly-flared pen end, a main cap to cover said end, said cap having screw-threads to cooperate with the screw-threads on the holder, and a supplemental cap separate and independent from the main cap and located entirely within the same within the main cap, said supplemental cap

having a pocket or chamber to receive the pen-point and being tapered at its end whereby when the main cap is applied to the holder said tapered end enters and centers itself against the interior of the flared portion of the holder.

2. In a fountain-pen having the usual holder, pen-point and a main cap having a closed end, said holder being provided with a flaring end, a removable supplemental cap independent from the main cap and located entirely within the same, said supplemental cap having a chamber to receive the pen-point, and having a non-yielding inwardly-tapered end to enter and engage the flaring end of the holder and make a tight joint therewith.

3. A non-leakable attachment for fountain-pens having a holder with a flared end, comprising a non-perforated supplemental cap independent from and adapted to be removably sustained entirely within the usual cap of the pen, said supplemental cap having a chamber to receive the pen-point and a non-resilient tapered end to enter and fit against the flared end of the holder.

In testimony whereof I have signed my name to this specification in the presence of two subscribing witnesses.

AUGUST EBERSTEIN.

Witnesses:

LOUIS C. SMITH,
EMILY C. HODGES.