

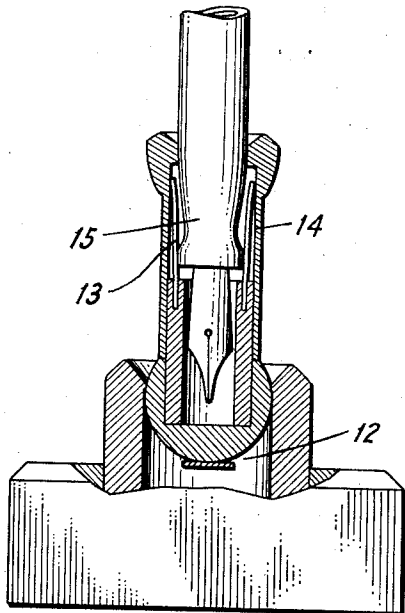
May 24, 1927.

1,629,987

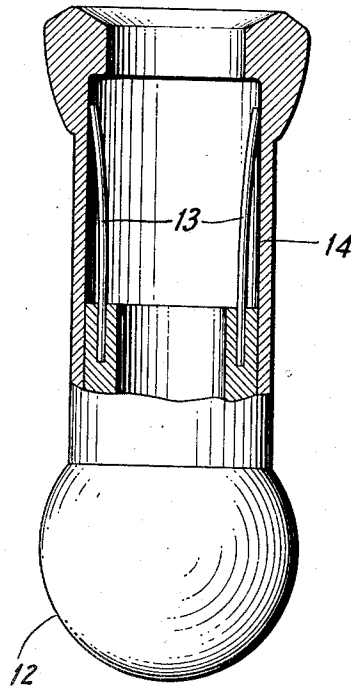
H. L. BLACKMAN  
HOLDER FOR FOUNTAIN PENS

Filed Aug. 19, 1926

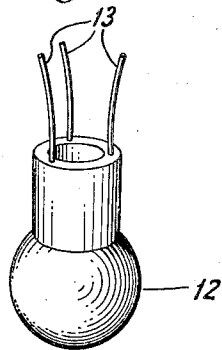
*Fig. 1*



*Fig. 2*



*Fig. 3*



Inventor  
*Horace L. Blackman*  
By his Attorneys *Dodson & Roe*

# UNITED STATES PATENT OFFICE.

HORACE L. BLACKMAN, OF JANESVILLE, WISCONSIN, ASSIGNOR TO THE PARKER PEN COMPANY, OF JANESVILLE, WISCONSIN, A CORPORATION OF WISCONSIN.

HOLDER FOR FOUNTAIN PENS.

## REISSUED

Application filed August 19, 1926. Serial No. 130,115.

My invention relates to the stationery art, and has for its purpose, to provide, in a fountain pen receiving set, a means to yieldingly hold a fountain, or other kind of, pen.

5 This particular invention is an improvement upon the inventions of Walter Guyot (Serial No. 83,857, series of 1925) and of Horace L. Blackman (Serial No. 121,072, series of 1925), in which a ball and socket joint is employed in a device to receive and position a pen in a desk set.

My invention consists of certain details of construction, hereinafter set forth, pointed out in my claims, and illustrated in the accompanying drawings, in which

15 Fig. 1 shows a sectional view of a desk set provided with my improvement, a fountain pen being shown in position therein;

20 Fig. 2 shows an enlarged sectional view of my invention; and

Fig. 3 shows a detail view, in perspective, of the holding fingers I employ.

In my present invention I employ the usual ball and socket joint, as indicated at 25 12, and from the ball projects a plurality of holding fingers 13, these fingers 13 being formed, preferably, of spring metal, and curving outwardly from their mounting, to frictionally engage the inner wall of the pen receptacle 14 which I employ.

30 The pen receptacle 14 is obviously of the proper size and length to receive the tapering end of a fountain pen 15, and the fingers 13, lying inside the receptacle 14 and engaging the wall, function also to receive, and tensionally press against, the barrel of the pen 15. When the pen 15 is inserted into my holder, it projects downwardly into the receptacle 14, and is yieldingly engaged by the fingers 13.

35 These fingers 13, curving outwardly from their base, their outer ends engaging the inner wall of the pen receptacle 14 to provide a tension to receive the end of the fountain pen 15, also function for the purpose of holding the receptacle 14 yieldingly in proper position.

40 This construction of a mounting for pen receiving receptacle may be employed with any desk set, and is not necessarily associated only with a desk set of the construction shown in the Guyot and Blackman applications hereinbefore mentioned.

45 Having thus described my invention, what

I claim, and desire to secure by Letters Patent of the United States, is:

1. In a desk set provided with a ball and socket joint, a pen holding device, comprising a base portion secured to the ball, a plurality of spring fingers extending therefrom and curving outwardly, and a pen receiving receptacle adapted to fit over the fingers and engage the base portion secured to the ball, and be yieldingly held in position thereon.

2. A pen receiving and holding device, in combination with a ball and socket joint on a desk set, comprising spring fingers extending outwardly from the ball, and a pen receiving receptacle designed to fit over said fingers and be yieldingly held in position thereby.

3. A pen holding means in a desk set, comprising a base with a ball and socket joint secured therein, a receptacle positioning member secured to the ball, fingers extending outwardly from the receptacle positioning member, a pen receptacle designed to be received by the said fingers and to fit over the positioning member, substantially as shown and described.

4. A pen holding means in a desk set, comprising a base with spring fingers projecting upwardly therefrom, a pen receptacle to be received by the fingers and held yieldingly in position thereby, said fingers also being adapted to engage tensionally the barrel of a pen.

5. A pen holding device, comprising a base; spring fingers, curving outwardly at their outer ends, secured thereto and projecting therefrom; a collar to fit over the spring fingers and engage the outer ends thereof, said fingers being designed to engage the barrel of a pen and tensionally hold it in position.

6. A pen holding device, comprising a base, a receptacle positioning member secured to the base, fingers extending outwardly from the receptacle positioning member, a pen receptacle designed to be received by said fingers and to fit over the positioning member, substantially as shown and described.

7. A pen receiving and holding device, comprising a base, spring fingers extending upwardly from the base, a collar fitting over the said fingers to engage the ends thereof, said fingers being designed to engage the

55  
60  
65  
70  
75  
80  
85  
90  
95  
100  
105

barrel of a pen and hold it yieldingly in position.

8. A pen receiving and holding device, comprising a base, spring fingers secured thereto, their outer ends curving outwardly, a pen receiving receptacle designed to fit over the said fingers and be yieldingly held in position thereby.

9. A pen receiving and holding device, comprising a base, a plurality of spring fingers extending therefrom and curving outwardly, a pen receiving receptacle adapted to fit over the fingers and engage the base portion, and be yieldingly held in position by the fingers.

HORACE L. BLACKMAN.