

RESERVE COPY  
PATENT SPECIFICATION

363,935

Application Date: April 20, 1931. No. 11,652/31.

Complete Accepted: Dec. 31, 1931.

COMPLETE SPECIFICATION.



**Improvements in or relating to Stands for Pens and the like.**

We, THE NAMIKI MANUFACTURING COMPANY LIMITED, a British Company, of 87, Bishopsgate, London, E.C. 2, and RINJI NOMURA, a Japanese Subject, of 29, Church Lane, Hornsey, London, N. 8, do hereby declare the nature of this invention and in what manner the same is to be performed, to be particularly described and ascertained in and by the following statement:—

This invention relates to stands for pens and the like and more particularly to fountain pen stands or desk sets of the kind comprising a tubular holder, adapted to receive a pen, and which is mounted upon a base.

In the known type, the said tubular member is formed with an outwardly flared upper portion and an internal shoulder for supporting the pen.

The object of this invention is to provide an improved construction of stand or desk set of the abovementioned type which will accommodate pens of different sizes.

To this end, a stand for pens and the like comprises a tubular member, mounted on a base, and having a separate angularly movable outwardly flared upper portion, and an elastic gripping device provided in said tubular member which is adapted to be constricted by the angular movement of said upper portion, for the purpose set forth.

The said elastic retaining device may consist of a ring, having a plurality of upstanding spring ball grips thereon, said ball grips being adapted to be engaged by a plurality of cam surfaces formed on the interior surface of the said angularly movable flared portion.

The invention will now be described with reference to the accompanying drawings, in which Figure 1 is a sectional front elevation of one form of stand constructed in accordance with this invention and shewing a fountain pen held in position. Figure 2 is an end elevation, partly in section, but shewing the fountain pen removed.

Figure 3 is a cross section on the line X—X of Figure 2.

Figure 4 is a perspective view of a detail and Figure 5 is a sectional elevation

tion of another detail.

The tubular member *a* is connected to the base *b* by a universal joint, said joint consisting of a ball *c*, connected to the member *a*, mounted in the socket *d* which is secured to the base *b*.

Frictional contact between the ball *c* and the socket *d* is regulated by the seating *e*, spring *f* and screw *g*.

The tubular member *a* is formed with an internal shoulder *h* and with a detachable outwardly flared upper portion *j*. Said upper portion is retained in said tubular member *a* by means of a wire ring *k*, secured around the neck of the portion *j*, fitting into an internal groove in the member *a*. Such an arrangement allows the said portion *j* to be moved angularly.

The interior of the neck of the portion *j* is formed with four cam surfaces *l*.

Provided in the tubular member *a* and resting on the shoulder *h* is a metal ring *m*, said ring being formed with four upstanding spring projections, at the end of each of which is fitted a ball *n*. When placed in position, the balls *n* bear against the cam surfaces *l* and angular movement of the portion *j* will force the said balls inwardly and so constrict the internal diameter of the tubular member *a*.

In Figure 1, it will be seen how the fountain pen *o* is held in position by the end of the stem resting on the shoulder *h* and the stem gripped by the balls *n*. It will be further seen that pens of various diameters can be retained in the member *a* by manipulation of the portion *j*.

We are aware it has been proposed to provide in a fountain pen stand a pen gripper having a plurality of resilient members extending from one side and bent slightly inward, the object of said gripper being to prevent accidental dislodgment of the pen.

Having now particularly described and ascertained the nature of our said invention, and in what manner the same is to be performed, we declare that what we claim is:—

1. A stand for pens and the like, comprising a tubular member mounted on a base and having a separate angularly

[Price

movable outwardly flared upper portion, an elastic gripping device provided in said tubular member, which is adapted to be constricted by the angular movement of said upper portion, for the purpose set forth.

2. A stand for pens and the like as claimed in claim 1, characterized in that the said adjusting means consists of a ring having a plurality of upstanding spring ball grips thereon, said ball grips being adapted to be engaged by a plurality of

cam surfaces formed on the interior of the said upper portion.

3. A stand for pens and the like fitted with a gripping device, constructed substantially as hereinbefore described with reference to the accompanying drawings. 15

Dated the 20th day of April, 1931.  
WM. BROOKES & SON,  
No. 1, Quality Court,  
Chancery Lane, London. W.C. 2,  
Chartered Patent Agents.

[This Drawing is a reproduction of the Original on a reduced scale.]

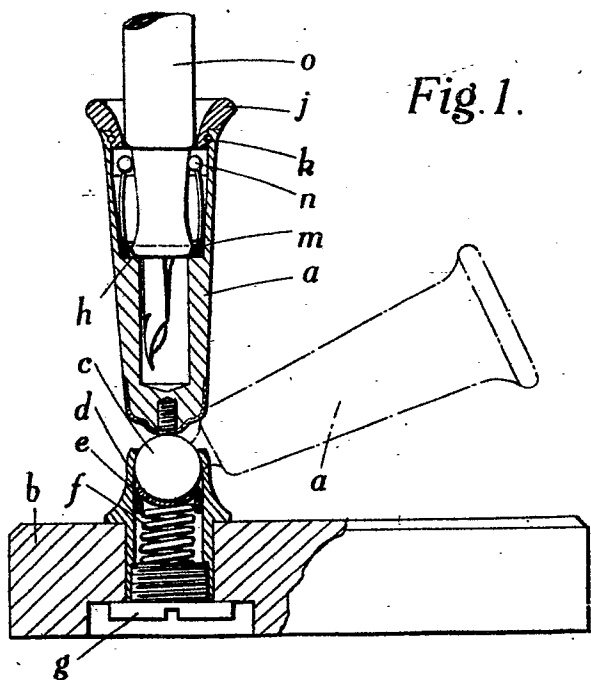


Fig. 1.

Fig. 3.

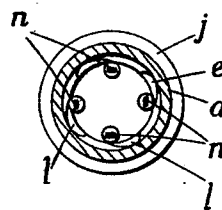


Fig. 4.

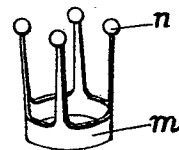


Fig. 2.

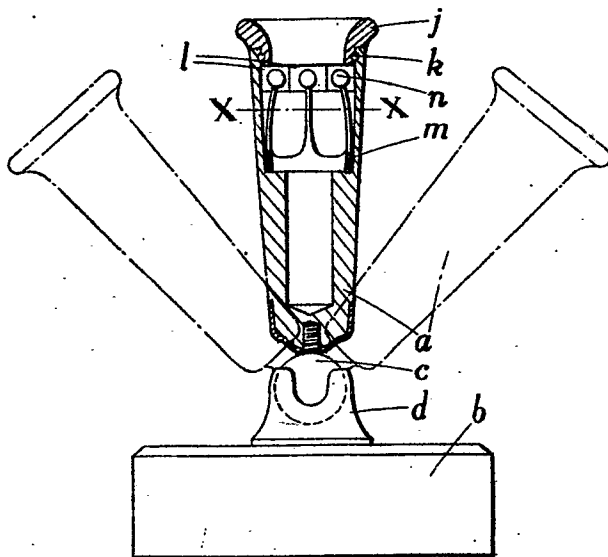


Fig. 5.

