

Aug. 12, 1924.

1,504,747

W. P. DE WITT

DISPLAY CABINET FOR PENS AND PENCILS

Filed Aug. 20, 1921

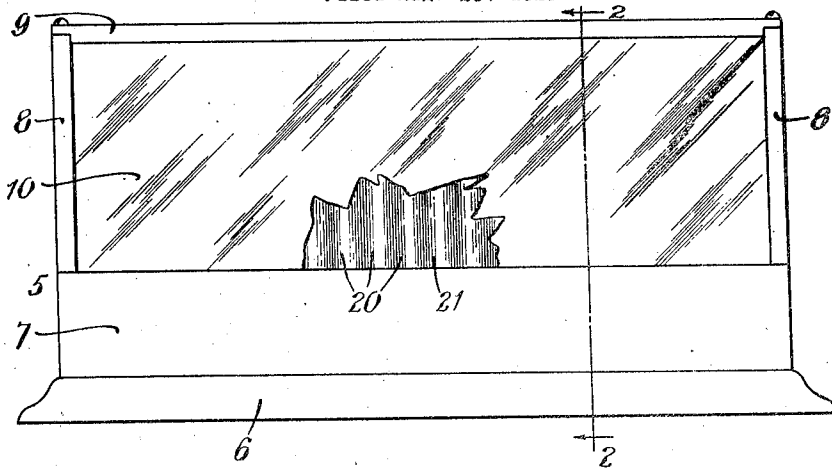


Fig. 1.

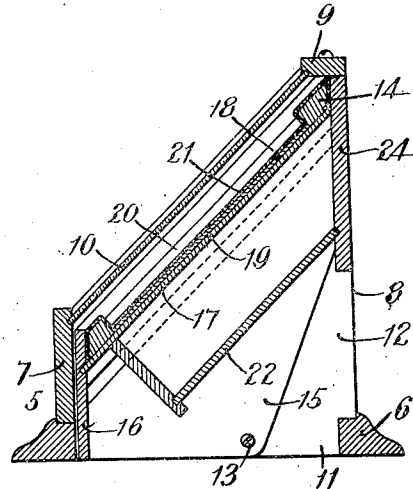


Fig. 2.

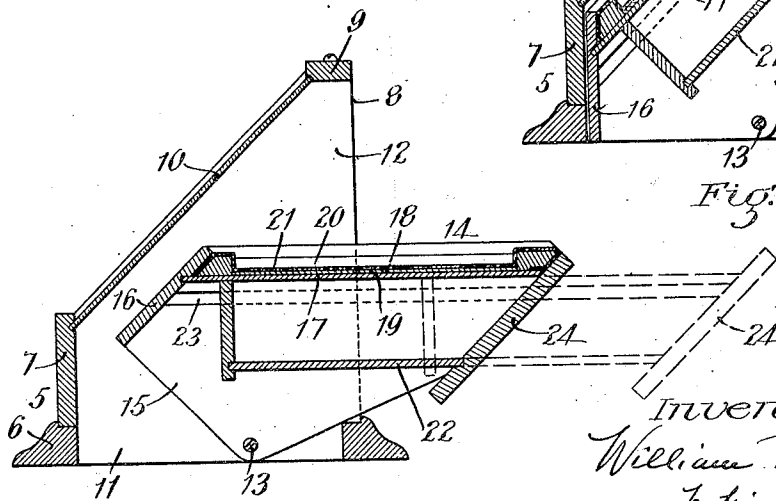


Fig. 3.

Inventor:
William P. De Witt,
by his attorney,
Charles S. Gooding.

UNITED STATES PATENT OFFICE.

WILLIAM P. DE WITT, OF SOMERVILLE, MASSACHUSETTS, ASSIGNOR TO DE WITT-LA FRANCE COMPANY, OF CAMBRIDGE, MASSACHUSETTS, A CORPORATION OF MASSACHUSETTS.

DISPLAY CABINET FOR PENS AND PENCILS.

Application filed August 20, 1921. Serial No. 493,790.

To all whom it may concern:

Be it known that I, WILLIAM P. DE WITT, a citizen of the United States, residing at Somerville, in the county of Middlesex and State of Massachusetts, have invented new and useful Improvements in Display Cabinets for Pens and Pencils, of which the following is a specification.

This invention relates to a display cabinet for pens, pencils and similar articles.

The object of the invention is to provide a cabinet in which pens, pencils and similar articles offered for sale may be displayed in an attractive manner, provision also being made for the reception of other pens and pencils within the cabinet, but out of view of the public.

Another object of the invention is to provide a cabinet in which pens and pencils when upon being displayed may be located in an inclined position, but when it is desired to remove any of said articles either from the display tray, or from the drawer thereunder, the tray is rocked rearwardly and downwardly to a horizontal position thereby rendering the articles both within the tray and within the drawer easily accessible.

The invention consists in the combination and arrangement of parts set forth in the following specification and particularly pointed out in the claims thereof.

Referring to the drawings:

Figure 1 is a front elevation of a display cabinet embodying my invention, a portion of the glass panel thereof being broken away to expose the grooves in the display tray located therebehind.

Fig. 2 is a transverse section taken on the line 2—2 of Fig. 1 illustrating the display tray and drawer in their normal positions.

Fig. 3 is a transverse section also taken on the line 2—2 of Fig. 1 but illustrating the display tray and drawer tipped to their horizontal positions, and also illustrating the open position of the drawer in dotted lines.

Like numerals refer to like parts throughout the several views of the drawings.

In the drawings, 5 represents a stationary outer casing constructed of any suitable material and comprising a base 6, a vertical front wall 7, vertical side walls 8, a horizontal upper wall 9 and an inclined transparent glass panel 10 which is located at

the front of the casing 5 and extends between the side walls 8 and front and upper walls 7 and 9 respectively. An opening 11 extends through the base 6 into the interior of the casing 5 and at the rear the casing also has an opening 12 communicating with the interior thereof.

Pivotally mounted at 13 within the casing 5 upon the side walls 8 thereof is a display tray 14. The tray 14 embodies therein a pair of side walls 15, a front wall 16 and a bottom 17, the latter being secured to the side walls 15 and front wall 16 in a position to form a shallow receptacle 18. The side walls 15 of the tray 14 are positioned adjacent to and parallel with the side walls 8 of the casing 5, while the front wall 16 of the tray 14 is disposed adjacent to and parallel with the front wall 7 of the casing 5 when the tray is in its normal position as illustrated in Fig. 2. When the tray 14 is tipped to the position illustrated in Fig. 3 the front wall 16 of said tray is parallel with the glass panel 10. When the tray 14 is in its normal position as illustrated in Fig. 2, the bottom 17 thereof is disposed in parallel relation to the glass panel 10. Resting upon the bottom 17 of the tray 14 is a member 19 having a plurality of parallel grooves 20 formed therein, each groove being provided for the reception of a separate article. The grooves 20 and portions of the tray adjacent thereto are covered with a layer of velvet 21 or other suitable soft fabric for the purpose of protecting the articles displayed and also for improving the appearance of the device.

A drawer 22 is slidably mounted beneath the tray 14 upon the side walls 15 thereof, a groove 23 being provided in the inner face of each of said side walls 15 in which said drawer may slide. The drawer is disposed in parallel relation to the tray 14 and when the tray is located in the position illustrated in Fig. 2 a front wall 24 of the drawer 22 is located flush with the rear of the outer casing 5 and partly closes the opening 12 therein. The bottom 17 of the tray 14 also constitutes a cover for the drawer 22 and prevents the articles in the latter from falling therefrom when the tray and drawer are tipped from a horizontal to an inclined position.

To place the articles to be displayed within the cabinet the tray 14 is tipped rear-

wardly and downwardly to the position illustrated in Fig. 3 and the articles are placed within the various grooves 20 preferably with one of said articles in each groove.

5 The tray is then tipped forwardly and upwardly to the position illustrated in Fig. 2 at which time the articles will be located adjacent to the under side of the glass panel 10 and parallel thereto. The pivot 13 of the tray 14 is so positioned that when the tray is positioned as illustrated in Fig. 2 that the center of gravity of the tray will be considerably to the left of said pivot and the tray 14 will remain in the position illustrated in said Fig. 2 without any fastening device being required. The drawer 22 forms a convenient place for storing an extra supply of articles with which to replenish the tray as the articles within said tray are sold. The fact that the tray 14 and drawer 20 may be tipped rearwardly to a horizontal position makes it particularly convenient for a clerk, who may be positioned behind a counter upon which the cabinet is placed, to gain access to said tray and drawer when inserting or removing articles therefrom.

I claim:

1. A display cabinet having, in combination, a casing embodying therein, an inclined glass panel, a tray mounted within said casing and provided with a plurality of parallel grooves formed therein, a stationary pivot for said tray, said pivot being located

beneath said tray and at a substantial distance from the front thereof, said tray being normally disposed adjacent to the rear of said panel and parallel thereto and a drawer slidably mounted upon said tray, the bottom of said tray constituting a cover for said drawer, said tray and drawer being adapted to be tipped in unison within said casing to a horizontal position.

2. A display cabinet having, in combination, a casing embodying therein side walls and an inclined glass panel and provided with an opening at the rear thereof, a tray pivotally mounted within said casing upon said side walls and provided with a plurality of parallel grooves formed therein, said tray being normally disposed adjacent to the rear of said panel and parallel thereto and a drawer located beneath said tray and slidably mounted thereon, the bottom of said tray constituting a cover for said drawer, said tray and drawer being adapted to be tipped in unison to a horizontal position and when tipped to project outwardly a substantial distance through the opening in the rear of said casing.

In testimony whereof I have hereunto set my hand in presence of two subscribing witnesses.

WILLIAM P. DE WITT.

Witnesses:

FRANKLIN E. LOW,
KATHRYN M. JOYCE.