

PATENT SPECIFICATION

360,918



Application Date: Aug. 13, 1930. No. 24,239/30.

Complete Left: May 5, 1931.

Complete Accepted: Nov. 13, 1931.

PROVISIONAL SPECIFICATION.

**Improvements in or relating to Means for Attaching Clips to
Fountain Pen Caps and the like.**

We, THOMAS DE LA RUE AND COMPANY, LIMITED, a company organised under the laws of Great Britain, of 110, Bunhill Row, London, E.C.1, and EDWARD GIBSON KNIGHT, British subject, of Strathendry Mill House, Leslie, Fifeshire, do hereby declare the nature of this invention to be as follows:—

This invention relates to improved means for attaching to fountain pens and the like, clips adapted to grip the pocket in which the pen or the like is carried.

According to the present invention the inner end of the clip is bent at an angle, preferably at right angles, and fits into a slot formed in the cap of the fountain pen or the like. That end of the clip

which is bent at an angle is provided with prongs which project through the slot and are turned back on to the inner surface of the cap by means of a special tool thereby fixing the clip in position. 20

An annular groove may if desired be formed inside the cap to receive the turned back portion of the prongs, and a sleeve may also be provided to cover the slot and turned back portion of the prongs. 25

Dated the 13th day of August, 1930.
CARPMAELS & RANSFORD,
Agents for Applicants,
24, Southampton Buildings, London,
W.C.2.

COMPLETE SPECIFICATION.

**Improvements in or relating to Means for Attaching Clips to
Fountain Pen Caps and the like.**

We, THOMAS DE LA RUE AND COMPANY, LIMITED, a company organised under the laws of Great Britain, of 110, Bunhill Row, London, E.C.1, and EDWARD GIBSON KNIGHT, British subject, of Strathendry Mill House, Leslie, Fifeshire, do hereby declare the nature of this invention and in what manner the same is to be performed, to be particularly described and ascertained in and by the following statement:—

This invention relates to improved means for attaching to fountain pens and other articles such as pencils, clips adapted to grip the pocket in which the pen or the like is carried.

According to the present invention a fountain pen or the like is provided with a clip whose upper edge is formed with prongs, which are bent over and are inserted through an aperture in the pen or the like, the prongs then being turned back into gripping engagement with the interior surface of the pen or the like.

The invention is illustrated in the accompanying drawing in which figure 1

[Price 1/-]

is a vertical section and figure 2 a horizontal section of one form of construction and figures 3 and 4 similar views of a modification. 55

1 indicates the clip having an end 2 which is bent at right angles. The edge of the bent end 2 is provided with prongs 3 which are spaced from the sides of the bent end to form shoulders 4 and these prongs are inserted into and through a slot formed in the cap 5; the prongs are then turned back from the position shown in full lines in figure 2 to the position shown in dotted lines so that the clip is securely held in position by the engagement of the wall of the cap between the shoulders 4 and the turned back prongs themselves, the turning back of the prongs being effected by a special tool. 60 65 70

In the modification shown in figures 3 and 4 the cap is formed internally with an annular groove 6 to receive the turned back prongs. 75

A sleeve 7 may, if desired, be inserted into the cap to cover the turned back prongs and the groove. 80

Having now particularly described and ascertained the nature of our said invention and in what manner the same is to be performed, we declare that what we claim is:—

- 5
10
15
20
1. A fountain pen or the like having a clip whose upper edge is formed with prongs which are bent over and are inserted through an aperture in the pen or the like the prongs being turned back into gripping engagement with the interior surface of the pen or the like, substantially as described.
 2. A fountain pen or the like as claimed in claim 1, in which the prongs are spaced from the sides of the clip so as to provide shoulders substantially as described.
 3. A fountain pen or the like having a clip whose upper edge is formed with

prongs which are spaced apart from the sides of the clip so as to provide shoulders and are bent over, the prongs being inserted through an aperture in the pen or the like, and then being turned back into a groove formed in the interior surface of the pen or the like substantially as described.

4. A fountain pen or the like as claimed in claim 3 in which a covering sleeve is inserted into the pen or the like.

5. A fountain pen or the like substantially as described with reference to the accompanying drawing.

Dated the 5th day of May, 1931.
CARPMAELS & RANSFORD,
Agents for Applicants,
24, Southampton Buildings, London,
W.C.2.

Fig. 1.

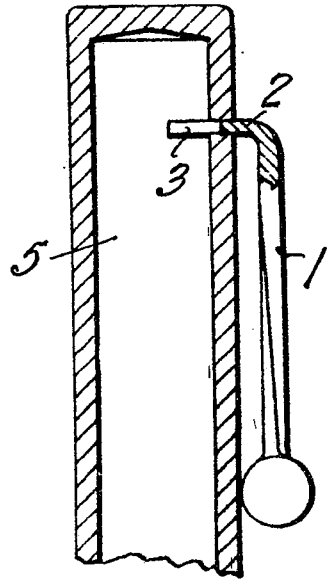


Fig. 2.

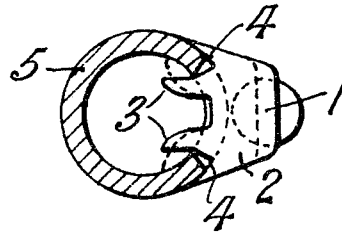


Fig. 3.

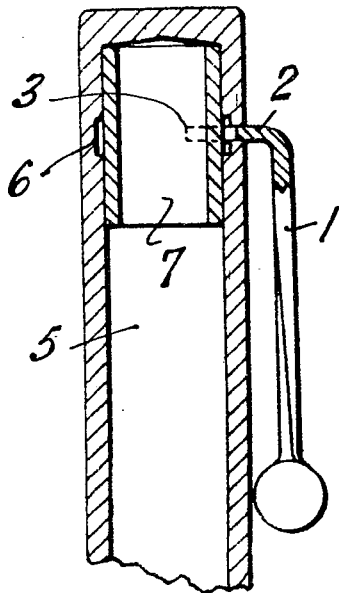
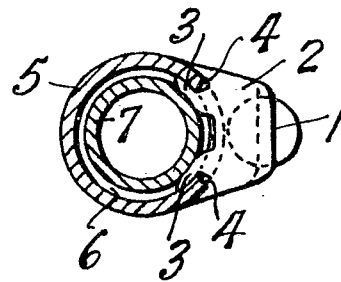


Fig. 4.



[This Drawing is a full-size reproduction of the Original.]