

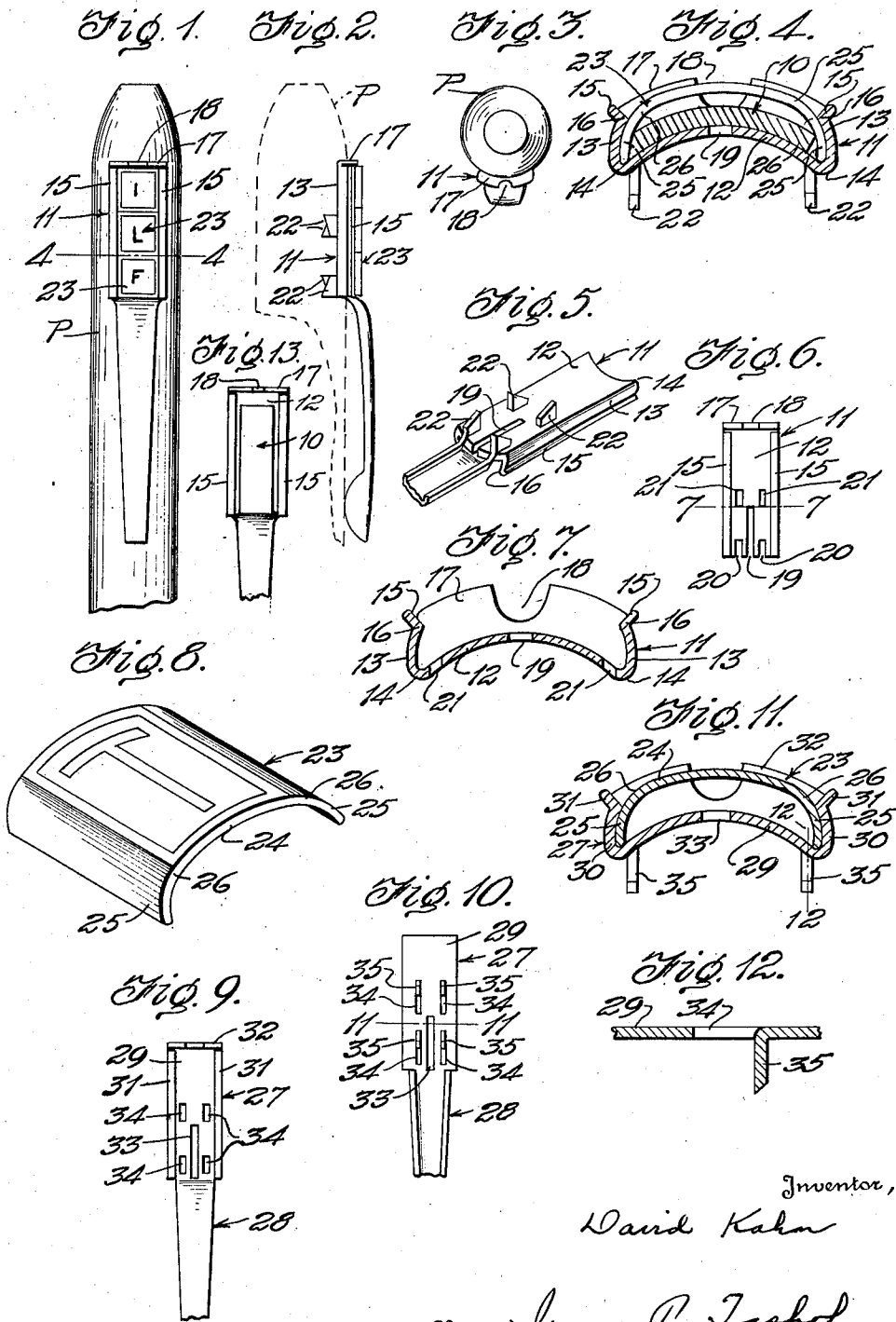
Oct. 5, 1937.

D. KAHN

2,094,797

COMBINED INSTRUMENT CLIP AND PLAQUE HOLDER

Filed Dec. 11, 1936



Inventor,

David Kahn

By

Ivan P. Tashof,

Attorney

# UNITED STATES PATENT OFFICE

2,094,797

## COMBINED INSTRUMENT CLIP AND PLAQUE HOLDER

David Kahn, Woodcliff, N. J., assignor to David Kahn, Inc., North Bergen Township, N. J., a corporation of New Jersey

Application December 11, 1936, Serial No. 115,428

21 Claims. (Cl. 40—140)

This invention relates to clips for pens, pencils and the like and has special reference to a clip provided with interchangeable letter blocks or plaques.

5 Furthermore, the invention relates to certain modifications of the clips shown and described in the copending application of David Kahn, for patent on Writing instrument clip, filed October 29, 1936, Serial No. 108,268.

10 One important object of the present invention is to provide an improved form of letter plaque holder for such a clip.

A second important object of the invention is to provide a plaque holder for this purpose where-  
15 in means are provided enabling the plaques to be readily introduced into the holder.

A third important object of the invention is to provide a novel arrangement of plaque holder which may be easily flexed transversely for the  
20 introduction of letter plaques.

A fourth important object of the invention is to provide a novel construction of letter plaque and plaque holder so constructed and arranged that the plaques may be readily inserted by later-  
25 ally flexing the plaque holder, the holder being so arranged that after the plaques have been inserted the holder assumes its normal form so that no permanent distortion of the holder is caused by the plaques held therein.

30 With the above and other objects in view, the invention consists in general of certain novel details of construction and combinations of parts hereinafter fully described, illustrated in the accompanying drawing and pointed out in the appended claims.

In the accompanying drawing like characters of reference indicate like parts in the several views, and:—

40 Figure 1 is a large scale face view of one form of the clip as applied to the upper part of a pen or the like.

Figure 2 is a side view thereof with the pen or the like shown in dotted lines.

45 Figure 3 is a top plan view of the device as shown in Figure 1.

Figure 4 is a greatly enlarged section of the clip on the line 4—4 of Figure 1.

50 Figure 5 is a bottom perspective view of the plaque holding portion of the clip with the parts assembled.

Figure 6 is a face view of the plaque holder of this form as it appears when separate from the other parts.

55 Figure 7 is a greatly enlarged section on the line 7—7 of Figure 6.

Figure 8 is a greatly enlarged perspective view of one of the plaques used herein.

Figure 9 is a face view of a modified form of the plaque holder of the present invention where-  
5 in the clip and plaque holder are integral.

Figure 10 is a view of the under side of this form of the clip.

Figure 11 is a greatly enlarged section on the line 11—11 of Figure 10 but showing a plaque  
10 held therein.

Figure 12 is a fragmentary section on the line 12—12 of Figure 11.

Figure 13 is a face view of the clip with the initial plaques removed.

In the form of the invention shown in Figures  
15 1 to 8 there is provided a clip having a clip body or head portion 10 and plaque holder 11. The plaque holder is formed of spring metal and forms a shallow tray or plaque holder having a transversely arched bottom 12. Extending along  
20 each side of the bottom is a transversely arcuate upstanding side wall 13. These side walls merge into the bottom 12 by curved portions 14 and have their concave faces inward so that these concave faces confront each other. Moreover,  
25 these side walls incline slightly inwardly so that there is less space between the upper edges of the side walls than at the bottom. At the upper edge of each side wall is an outwardly and upwardly flaring flange 15 so that at the junction  
30 of each side wall and flange there is provided an inwardly directed bead 16. At one end edge of the bottom 12 there is a flat upstanding flange 17 having its ends free from the side walls and provided with a centrally disposed notch or slot 18.  
35 At the other end of the bottom the tray is open and the bottom 12 is provided with a slot 19 opening at the end edge of the bottom and located on the longitudinal median line of the bottom. At this end of the bottom 12 there is also provided  
40 a pair of open ended slots 20 located adjacent the side walls. The bottom is also provided intermediate its ends with a second pair of slots 21 aligned with the slots 20.

The clip body 10 is transversely arched to fit  
45 against the inner or face surface of the bottom 12 and is somewhat narrower than the bottom 12 so that, when assembled the side edges of the body 10 are spaced from the side walls of the plaque holder. Extending from the longitudinal  
50 edges of the body 10 is a set of prongs 22 positioned to extend through the slots 20 and 21 so that they may enter the material of the pen or pencil P and thus secure the device thereto.

55 The clip holder is here shown as long enough

to receive three plaques 23 but may, of course, be made to accommodate any number from one up. The plaques are each of generally square form and are arched transversely to provide a central flatly arched portion 24 and lateral more abruptly arched portions merging into the central portion by curved shoulders 26. The side portions 25 conform on their convex faces to the concave faces of the side walls 13 and the side edges of these plaques fit, when assembled, in the spaces between the sides of the body 10 and said walls 13.

In the form of the invention shown in Figures 9 to 12 the same form of plaque is used but in this form the clip head or body 27 is formed integrally with the tongue 28 and itself forms the plaque holder. This head or body is precisely of the form and size of the plaque holder of the first form having the arched bottom 29, side walls 30, flanges 31 at the upper edges of the walls 30, and notched end flange 32. However, the slot 19 is replaced by a closed slot 33 and the slots 20 and 21 are replaced by slots 34 from which the material is bent down to form attaching prongs 35.

The device is assembled by simply placing each plaque on the plaque holder so that its side edges rest on the flanges 15 or 31 whereupon a slight downward push will transversely flex the bottom 12 or 29 so that the ribs of the sides 13 or 30 spring apart and allow the sides 25 to enter the holder whereupon the sides 13 or 30 will spring back and closely grip the sides 25. This movement of the upper edges of the side walls apart is affected almost entirely by the yielding of the bottom which is aided by the slot 19 or 33 and the notch in the end wall 17 or 32. Thus there is no permanent distortion of the plaque holder and, when the plaques are assembled therein, the holder is in its original form.

It may be noted, by referring to Figure 4 of the drawing, that the clip body portion 10 is considerably thicker than the metal plaque holder 11. Thus the body of the clip acts as a stiffening member for the relatively thin plaque holder. It is necessary that the plaque holder may be made of relatively thin metal in order that it may be stamped or bent to proper form and in order that it may be sprung apart to permit the insertion of the plaques.

The plaque holder 11 is also provided with an auxiliary means to aid in flexing the same, said means comprising the slit 19. It may be noted that the plaque holder 11 is also provided with means which facilitates removal of the plaques from the plaque holder. This means is the notch 18 in one end of the plaque holder. By the insertion of a proper pointed tool through this notch, the plaques may be more easily removed. The plaque holder, because of its peculiar shape, also embodies means for facilitating the insertion of plaques. These means are the outwardly and upwardly flaring flanges 15. It may be noted further that the plaques 23 are carried in a groove between the side walls of the plaque holder 11 and the clip body portion 10.

In accordance with the present invention, there is provided a plaque holder formed of resilient material, said plaque holder comprising means for retaining a plurality of plaques and being provided with auxiliary means to aid in flexing the resilient plaque holder, the resilient material and the auxiliary means both functioning to assist in the easy insertion and removal of plaques from the plaque holder. In one form of the invention, this means comprises a slot, but

it is within the spirit of the present invention to provide other means.

The plaque holder may be provided with means facilitating the insertion of plaques therein, as above specifically set forth.

In one form of the invention, the plaque holding tray is formed of thin resilient material, and is provided with plaque-retaining means and a member cooperates with the plaque-retaining means to aid in retaining the plaques.

What is claimed is:—

1. In a display device, a plaque holder having side walls provided at their upper edges with longitudinally extending and inwardly projecting ribs, outwardly and upwardly flaring flanges on the upper edges of said side walls, said flanges being disposed in planes intersecting at an acute angle so as to act as a guide for the insertion of plaques into the plaque holder, in combination with interchangeable plaques having side portions adapted to fit closely against the inner faces of said side walls below said ribs.

2. In a display device, a plaque holder having side walls provided at their upper edges with longitudinally extending and inwardly projecting ribs, outwardly and upwardly flaring flanges on the upper edges of said side walls, said flanges being disposed in planes intersecting at an acute angle so as to act as a guide for the insertion of plaques into the plaque holder, said plaque holder being formed from resilient material and having a bottom constructed and arranged to readily flex transversely upon insertion of a plaque, in combination with interchangeable plaques having side portions adapted to fit closely against the inner faces of said side walls below said ribs.

3. In a display device, a plaque holder having side walls provided at their upper edges with longitudinally extending and inwardly projecting ribs, outwardly and upwardly flaring flanges on the upper edges of said side walls, said flanges being disposed in planes intersecting at an acute angle, said plaque holder being formed of resilient material and having a bottom provided with a longitudinally extending slot on its longitudinal median line, in combination with interchangeable plaques having side portions adapted to fit closely against the inner faces of said side walls below said ribs.

4. In a display device, a plaque holder having side walls provided at their upper edges with longitudinally extending and inwardly projecting ribs, outwardly and upwardly flaring flanges on the upper edges of said side walls, said plaque holder being formed of resilient material and having a bottom connecting the lower edges of said side walls, an end flange at one end of said bottom free from said side walls and provided with a notch extending downwardly from its upper edge, in combination with interchangeable plaques having side portions adapted to fit closely against the inner faces of said side walls below said ribs.

5. In a display device, a plaque holder having side walls provided at their upper edges with longitudinally extending and inwardly projecting ribs, outwardly and upwardly flaring flanges on the upper edges of said side walls, said plaque holder being formed from resilient material and having a bottom constructed and arranged to readily flex transversely upon insertion of a plaque, said bottom having an upstanding flange at one end provided with a notch extending from

its upper edge towards the bottom and having its ends free from said side walls.

6. In a display device, a plaque holder having side walls provided at their upper edges with longitudinally extending and inwardly projecting ribs, outwardly and upwardly flaring flanges on the upper edges of said side walls, said plaque holder being formed of resilient material and having a bottom provided with a longitudinally extending slot on its longitudinal median line, said bottom having an upstanding flange at one end provided with a notch extending from its upper edge towards the bottom and having its ends free from said side walls.

7. In a display device, a plaque holder having side walls transversely curved to form confronting concave faces and provided at their upper edges with longitudinally extending and inwardly projecting ribs, outwardly and upwardly flaring flanges on the upper edges of said side walls, said flanges being disposed in planes intersecting at an acute angle so as to act as a guide for the insertion of plaques into the plaque holder, in combination with interchangeable plaques having side portions adapted to fit closely against the inner faces of said side walls below said ribs.

8. In a display device, a plaque holder having side walls transversely curved to form confronting concave faces and provided at their upper edges with longitudinally extending and inwardly projecting ribs, outwardly and upwardly flaring flanges on the upper edges of said side walls, said flanges being disposed in planes intersecting at an acute angle so as to act as a guide for the insertion of plaques into the plaque holder, said plaque holder being formed from resilient material and having a bottom constructed and arranged to readily flex transversely upon insertion of a plaque, in combination with interchangeable plaques having side portions adapted to fit closely against the inner faces of said side walls below said ribs.

9. In a display device, a plaque holder having side walls transversely curved to form confronting concave faces and provided at their upper edges with longitudinally extending and inwardly projecting ribs, outwardly and upwardly flaring flanges on the upper edges of said side walls, said flanges being disposed in planes intersecting at an acute angle, said plaque holder being formed of resilient material and having a bottom provided with a longitudinally extending slot on its longitudinal median line, in combination with interchangeable plaques having side portions adapted to fit closely against the inner faces of said side walls below said ribs.

10. In a display device, a plaque holder having side walls transversely curved to form confronting concave faces and provided at their upper edges with longitudinally extending and inwardly projecting ribs, outwardly and upwardly flaring flanges on the upper edges of said side walls, said plaque holder being formed of resilient material and having a bottom provided with a longitudinally extending slot on its longitudinal median line, said bottom having an upstanding flange at one end provided with a notch extending from its upper edge towards the bottom and having its ends free from said side walls.

11. In a writing instrument clip, a plaque holder having side walls provided at their upper edges with longitudinally extending and inwardly projecting ribs, outwardly and upwardly flaring flanges on the upper edges of said side walls, said

plaque being formed of resilient material and having a bottom connecting the lower edges of said side walls, an end flange at one end of said bottom free from said side walls and provided with a notch extending downwardly from its upper edge, said bottom having a series of prong holes therein, and a clip body having side edges provided with downwardly projecting prongs, said body resting on said bottom and the prongs projecting through said holes to form attaching means for the clip.

12. In a writing instrument clip, a plaque holder having side walls provided at their upper edges with longitudinally extending and inwardly projecting ribs, outwardly and upwardly flaring flanges on the upper edges of said side walls, said plaque being formed of resilient material and having a bottom connecting the lower edges of said side walls, an end flange at one end of said bottom free from said side walls and provided with a notch extending downwardly from its upper edge, said plaque holder forming a clip body, and attaching prongs extending downwardly from said clip body.

13. A plaque holder formed of resilient material comprising opposed retaining means for the plaques, a member joining the opposed retaining means having a weakened portion therein so that when the opposed retaining means are moved apart to permit the insertion of plaques in the retaining means, the member may be more easily flexed to permit such movement, and means on said retaining means forming guides to facilitate insertion and removal of the plaques.

14. A combination plaque holder and article clip comprising an elongated resilient clip portion and a relatively stiff body portion, a plaque holding portion, means for attaching one of said portions to an article, and means for attaching the plaque holding portion to the body portion, said plaque holding portion being adapted to retain and hold in position a plurality of plaques.

15. A combination plaque holder and article clip comprising an elongated resilient clip portion and a relatively stiff body portion, a plaque holding portion, means for attaching said plaque holding portion to said body portion so that said body portion forms a reinforcement for said plaque holding portion, means for attaching said body and plaque holding portion to an article, said plaque holding portion comprising an open box-like member adapted to receive an initial plaque.

16. A combination plaque holder and article clip comprising a plaque holder formed of thin resilient material and a clip having a head portion formed of relatively rigid material, said head portion cooperating with said plaque holder to reinforce a portion thereof, and means on said clip head portion for fastening the plaque holder and clip to said article.

17. In a display device, a plaque holder having side walls transversely curved to form confronting concave faces and provided at their upper edges with longitudinally extending and inwardly projecting ribs, outwardly and upwardly flaring flanges on the upper edges of said side walls, said plaque holder being formed of resilient material and having a bottom connecting the lower edges of said side walls, an end flange at one end of said bottom free from said side walls and provided with a notch extending downwardly from its upper edge, in combination with interchangeable plaques having side portions adapted to fit closely against the inner faces of said side walls below said ribs.

18. In a display device, a plaque holder having

side walls transversely curved to form confronting concave faces and provided at their upper edges with longitudinally extending and inwardly projecting ribs, outwardly and upwardly flaring flanges on the upper edges of said side walls, said plaque holder being formed from resilient material and having a bottom constructed and arranged to readily flex transversely upon insertion of a plaque, said bottom having an upstanding flange at one end provided with a notch extending from its upper edge towards the bottom and having its ends free from said side walls.

19. In a writing instrument clip, a plaque holder having side walls provided at their upper edges with longitudinally extending and inwardly projecting ribs, outwardly and upwardly flaring flanges on the upper edges of said side walls, said plaque holder being formed of resilient material and having a bottom connecting the lower edges of said side walls, an end flange at one end of said bottom free from said side walls and provided with a notch extending downwardly from its upper edge, said plaque holder forming a clip body and having a plurality of pairs of prongs struck downwardly from the material of the bottom to form attaching means, in combination with interchangeable plaques having side portions adapted to fit closely against the inner faces of said side walls below said ribs.

20. A combination plaque holder and article

clip comprising an elongated resilient clip portion and a relatively stiff body portion, a plaque holding portion, means for attaching one of said portions to an article, and means for attaching the plaque holding portion to the body portion, said plaque holding portion comprising opposed retaining means for the plaques, a member joining the opposed retaining means having a weakened portion therein so that when the opposed retaining means are moved apart to permit the insertion of plaques in the retaining means, the member may be more easily flexed to permit such movement.

21. A combination plaque holder and article clip comprising an elongated resilient clip portion and a relatively stiff body portion, a plaque holding portion, means for attaching one of said portions to an article, and means for attaching the plaque holding portion to the body portion, said plaque holding portion comprising opposed retaining means for the plaques, a member joining the opposed retaining means having a weakened portion therein so that when the opposed retaining means are moved apart to permit the insertion of plaques in the retaining means, the member may be more easily flexed to permit such movement, said plaque holding portion having an opening therein to permit the insertion of a tool for removing the plaques therefrom.

DAVID KAHN. 30