

Oct. 5, 1937.

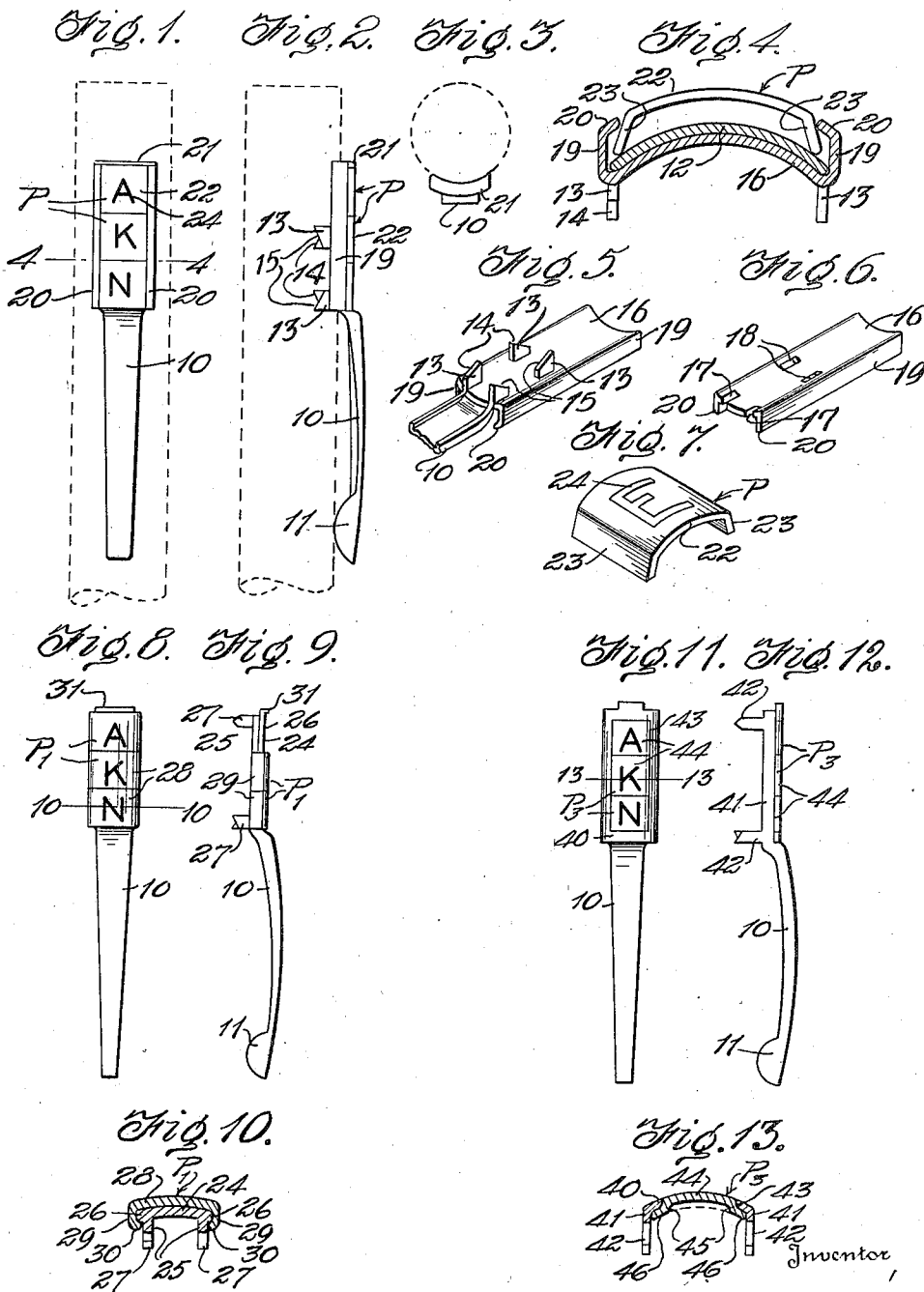
D. KAHN

2,094,796

WRITING INSTRUMENT CLIP WITH INTERCHANGEABLE INITIALS

Filed Oct. 29, 1936

2 Sheets-Sheet 1



Inventor,
David Kahn

334 Ivan P. Tschaf,
Attorney

Oct. 5, 1937.

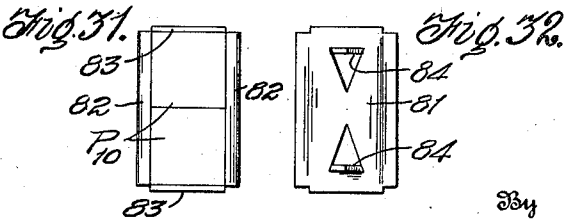
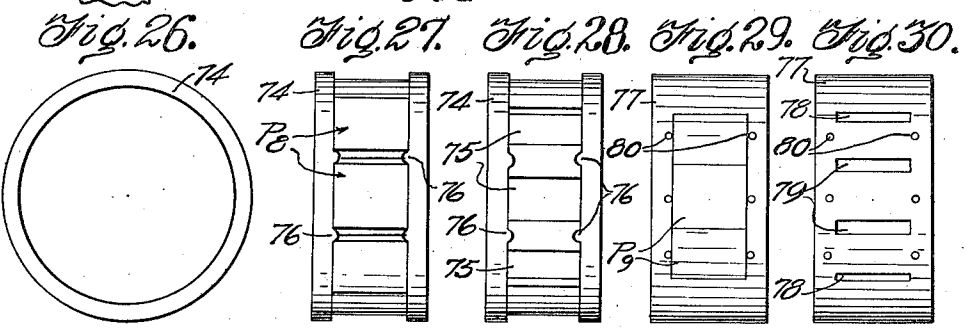
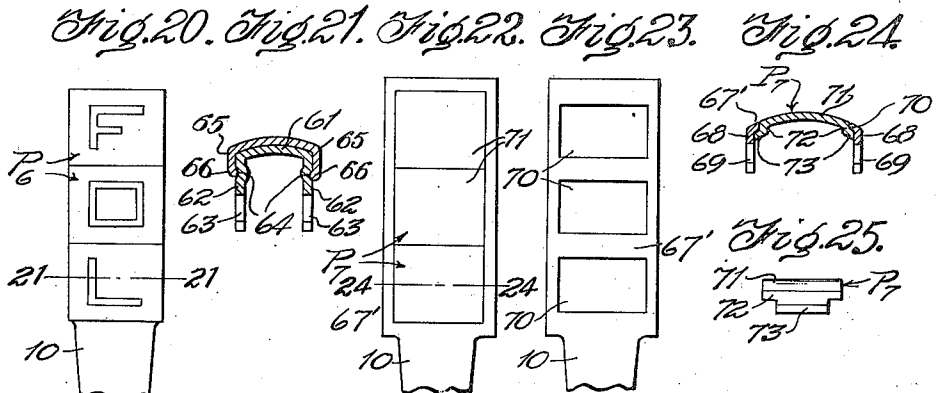
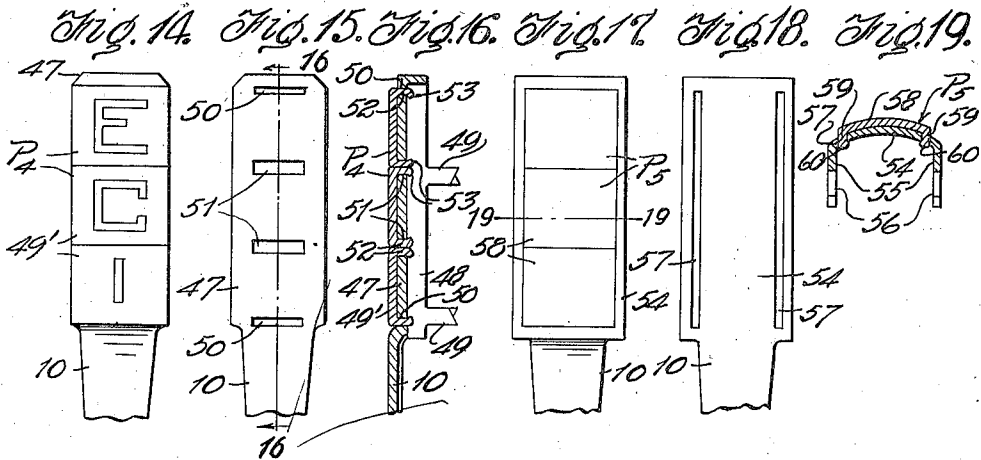
D. KAHN

2,094,796

WRITING INSTRUMENT CLIP WITH INTERCHANGEABLE INITIALS

Filed Oct. 29, 1936

2 Sheets-Sheet 2



Inventor,

David Kahn

By

Ivan P. Tashof,

Attorney

UNITED STATES PATENT OFFICE

2,094,796

WRITING INSTRUMENT CLIP WITH INTER-CHANGEABLE INITIALS

David Kahn, Woodcliff, N. J., assignor to David Kahn, Inc., North Bergen Township, N. J., a corporation of New Jersey

Application October 29, 1936, Serial No. 108,268

20 Claims. (Cl. 40—140)

This invention relates to pens, pencils and the like and has special reference to means for securing to such an article one or more interchangeable letters so that the owner of the article may have it identified by his name or initials.

One important object of the invention is to provide a novel arrangement for this purpose, wherein plaques having each a letter thereon may have novel means coacting with cooperative elements on a holder to secure the plaques in position in or on the holder.

A second important object of the invention is to provide a device of this character so arranged as to form part of a clip such as is attached to a pen or pencil for retaining the article in a pocket or the like.

A third important object of the invention is to provide a novel device of this character associated with a band such as is placed around a pen or pencil for ornamenting the latter.

A fourth important object of the invention is to provide a novel device of this character which may be applied to a pen, pencil or other article which it is desired shall contain identifying marks, the device being independent of any clip or ornament on the article.

With the above and other objects in view, as will be presently apparent, the invention consists in general of certain novel details of construction and combinations of parts hereinafter fully described, illustrated in the accompanying drawings and particularly pointed out in the claims.

In the accompanying drawings, like characters of reference indicate like parts in the several views, and:—

Figure 1 is a large scale face view of a clip embodying one form of the invention as applied to a pen or the like, the latter being shown in dotted lines.

Figure 2 is a similar view of this form in side elevation.

Figure 3 is a similar view of this form in top plan view.

Figure 4 is a greatly enlarged section on the line 4—4 of Fig. 1.

Figure 5 is a bottom perspective view of the plaque holding portion of the clip with the parts assembled.

Figure 6 is a view similar to Fig. 5, but showing the plaque holder separate from the clip.

Figure 7 is a greatly enlarged perspective view of one of the plaques used in this form.

Figure 8 is a face view of a second form of clip embodying the invention.

Figure 9 is a side elevation of the second form,

Figure 10 is an enlarged section on the line 10—10 of Fig. 8.

Figure 11 is a face view of a third form of clip embodying the invention.

Figure 12 is a side elevation of this third form.

Figure 13 is an enlarged section on the line 13—13 of Fig. 11.

Figure 14 is a greatly enlarged face view of the plaque holding portion of a fourth form of the invention with the plaques in place.

Figure 15 is a face view similar to Fig. 14 but with the plaques omitted.

Figure 16 is a section on the line 16—16 of Fig. 14.

Figure 17 is a view similar to Fig. 14 but showing a fifth form of the invention.

Figure 18 is a view of this fifth form similar to Fig. 15.

Figure 19 is a section on the line 19—19 of Fig. 17.

Figure 20 is a view similar to Fig. 14 but showing a sixth form of the invention.

Figure 21 is a section on the line 21—21 of Fig. 20.

Figure 22 is a view similar to Fig. 14, but showing a seventh form of the invention.

Figure 23 is a view of this seventh form similar to Fig. 15.

Figure 24 is a section on the line 24—24 of Fig. 22.

Figure 25 is a side elevation of the plaque used with this seventh form.

Figure 26 is an enlarged top plan view of a band forming an eighth form of the invention.

Figure 27 is a face view of the plaque carrying portion of this eighth form, with the plaques in place.

Figure 28 is a view similar to Fig. 27 but with the plaques removed.

Figure 29 is a view similar to Fig. 27, but showing a ninth form of the invention.

Figure 30 is a view of this ninth form with the plaques removed.

Figure 31 is a face view of a tenth form of the invention.

Figure 32 is a back view of this tenth form.

In the forms of the invention shown in Figs. 1 to 25, the construction is that of a clip and in each form the clip is provided with a spring finger 10 having a ball 11 on its free end, these parts being conventionally shown and subject to such change in form and construction as may be found desirable in manufacture.

Considering now the specific forms, it will be seen that in Figs. 1 to 7, the device is illustrated

as having a transversely arched body plate 12 formed integrally with the finger 10. This body plate is provided on its lateral edges with securing prongs 13 having on one edge of the plate 12 end faces 14 anticlinally arranged and on the other edge end faces 15 synclinally arranged. These prongs are arranged, as shown in Fig. 5, in oppositely disposed pairs. Associated with the body 12 is a plaque holder having a body portion 16 transversely curved to fit the concave face of the body 12. The body 16 is provided at the end adjacent the finger 10 with slots 17 to permit passage of one pair of prongs 13 and is also provided with holes 18 for the remaining pair of prongs. A flange 19 is provided along each lateral edge of the body 16 and these flanges extend up to closely embrace the body plate 12, as best seen in Fig. 4. Each of these flanges is provided with a slightly inturned lip 20 extending along its free edge. At the end remote from the finger 10, the body 16 is provided with an upturned flange 21. When the clip proper and the holder are assembled there is formed on the outer side a trough of which the body plate 12 forms the bottom, the flanges 19 and lips 20 the sides, the flange 21 one end and the butt portion of the finger 10 the other end. This trough receives and holds a number of identification plaques indicated in general at P. As here shown, the trough is of proper size to accommodate three of these plaques, but it is obvious that the number of plaques used may be from one to any number. Each of these plaques consists of a body portion 22 having at its lateral edges flaring flanges 23. On the face of each plaque is shown a letter or symbol 24.

In assembling this form of the device, a flange 23 of a plaque is caught beneath one lip 20. The other flange 23 will rest on the other lip 20 at its edge and the proportions are such that downward pressure on the plaque will spring the flanges 19 and 23 to a sufficient extent to allow the parts to assume the position shown in Fig. 4.

In the form of the device shown in Figs. 8 to 10, there is provided a clip body plate 24 having depending side flanges 25 on which are formed longitudinally extending beads 26. From the flanges 25 extend securing prongs 27 which are similarly arranged and constructed to the prongs 13. In Fig. 9, one of the plaques P₁ is omitted to show the bead 26. The plaques P₁ used in this form of the device have each a body portion 28 provided with side flanges 29 which lap over the beads 26, and are provided with inturned lips 30, which catch beneath said beads upon the plaques being pressed into position. On the body 24 is an end flange 31 which prevents the plaques from slipping off the clip.

In the form shown in Figs. 11 to 13, there is provided a clip body plate 40 having very narrow side flanges 41 and provided with the usual prongs 42. The plate 40 is provided with a rectangular opening 43. In this form, there are plaques P₃ which each have a body portion 44 provided with depending side flanges 45 having outwardly extending lips 46 which fit beneath the plate 40 at the sides of the opening 44. In this construction, the plaques may be assembled from the inner side of the clip before the latter is applied to the pen or other article.

In the form of the device shown in Figs. 14 to 16, there is provided a clip body plate 47 provided with side flanges 48 and prongs 49 of the same type as previously described. In the plate 47

adjacent each end are transverse slots 50 and between these slots are other and wider transverse slots 51. With this plate, there are used plaques P₄ each of which has a body 49' and at its top and bottom edge a flange 52 and the flanges of each plaque P₄ are provided with inturned lips 53. One flange of each end plaque enters a slot 50 while a pair of adjacent flanges of the plaques enters the respective slot 51, the plaques being simply pushed into position.

In the form shown in Figs. 17 to 19 there is provided a clip body plate 54 having the usual side flanges 55 and prongs 56. Adjacent each side of the plate is a long slot 57, the slots being parallel.

Plaques P₅ for this form have a body 58 provided with side flanges 59 and inturned lips 60, the flanges passing through the slots 57 and the lips snapping under the plate 54 adjacent said slots.

In the form shown in Figs. 20 and 21, there is provided a clip body plate 61 having side flanges 62 and prongs 63. Extending along the flanges 62 are grooves 64. With this form, there are used plaques P₆ having depending side flanges 65 having inturned lips 66. The flanges 65 fit closely on the flanges 62 and the lips 66 snap into the grooves 64.

In the form shown in Figs. 22 to 25, there is provided a clip body plate 67 having narrow side flanges 68 and prongs 69 very similar to the form shown in Figs. 11 to 13. In the body plate 67, there is provided a set of rectangular openings 70. Also the plaques P₇ used in this case are similar to those shown in Figs. 11 to 13, having a body 71, depending flanges 72 and out-turned lips 73, these lips being of less length than the sides of the plaque. In this case the parts are assembled as in the form of Figs. 11 to 13.

In the form shown in Figs. 26 and 28, the invention takes the form of a hoop or ring 74 which is provided with spaced rectangular openings 75 similar to the openings 70 of the form just described and plaques P₈ of the same type as plaques P₇ are held in these openings. In this arrangement, the plaques are separated by lugs 76. This hoop or ring 74 can be fastened to a pen or pencil or any other suitable cylindrical object in any conventional manner.

In the form shown in Figs. 29 and 30, a band 77 is provided with slots 78 and 79 similar to the slots 50 and 51. Plaques P₉ similar to the plaques P₄ are used in this form and fit between pins 80.

In the form shown in Figs. 31 and 32, there is provided a one piece holder which may be used to hold plaques on any article. In this form, there is formed from a plate of metal a trough having a bottom plate 81 provided with converging side flanges 82 and upstanding end flanges 83. Plaques P₁₀ of the same character as the plaques P₂ are used with this form and are assembled in the holder in the manner in which plaques P₂ are assembled. In this form, the prongs 84 are formed by cutting V-shaped slits in the back or bottom 81 and bending the so defined portions to lie at right angles to the part 81. The one-piece plaque holder, heretofore described, may be fastened to the side of a writing instrument, such as a pen or pencil, or other suitable article. Obviously, this holder may be made in two pieces according to the forms previously described as applied to clips or rings.

There has thus been described a device whereby individual initials may be easily added to or removed from a clip member. This clip will be adaptable in general for writing instruments, but

may be used on many other articles, for example, lipstick holders and pocket combs.

What is claimed is:—

5 1. A writing instrument clip including in combination a plaque holder having prongs projecting therefrom to hold it in position, of interchangeable plaques each having a pair of oppositely disposed flanges, means on the holder to engage said flanges, and lips on the flanges engaging behind the flange engaging means of the holder.

10 2. In a clip for pencils and the like, the combination with a body plate provided with securing prongs projecting from its under side, a plaque holder having a body portion and upstanding side flanges, said body portion of the plaque holder fitting against the under side of the said body plate and having slots wherethrough said prongs pass, and interchangeable plaques having side flanges coacting with the holder flanges to hold the plaques attached to the holder.

15 3. In a clip for pencils and the like, the combination with a body plate provided with securing prongs projecting from its under side, a plaque holder having a body portion and upstanding side flanges, said body portion of the plaque holder fitting against the under side of the said body plate and having slots wherethrough said prongs pass, inwardly extending lips on said flanges, and interchangeable plaques each having flaring side flanges engageable beneath said lips to secure the plaques in the holder.

20 4. In combination, a holder body plate provided with downwardly extending side flanges and means for attaching said plate to an instrument, said plate having beads extending along said flanges, and interchangeable plaques each having downwardly extending side flanges fitting against the first flanges and having inturned lips fitting beneath said beads.

25 5. In combination, a holder body plate provided with downwardly extending side flanges having beads extending along said flanges, interchangeable plaques each having downwardly extending side flanges fitting against the first flanges and having inturned lips fitting beneath said beads, and stop members carried by the ends of the body portion and engaging against the ends of the assembled plaques to prevent longitudinal movement of said plaques.

30 6. In combination, a plaque holder formed of sheet metal and constituting a trough-like member having a bottom, converging side flanges and erect end flanges, interchangeable plaques having diverging side flanges fitting beneath the holder side flanges, said plaques fitting between said end flanges, and means to secure said holder to an object.

35 7. In combination, a plaque holder formed of sheet metal and constituting a trough-like member having a bottom, converging side flanges and erect end flanges, interchangeable plaques having diverging side flanges fitting beneath the holder side flanges, said plaques fitting between said end flanges, and means to secure said holder to an object, said means comprising prongs having side portions formed from the said bottom and bent to extend at right angles to said bottom.

40 8. A writing instrument clip including a body plate portion having securing means thereon for securing the clip to the writing instrument, and a plaque holder having means thereon cooperating with the securing means for securing the plaque holder to the clip and writing instrument, said plaque holder having means thereon for detachably holding a plaque.

9. A writing instrument clip including a body plate portion having securing prongs thereon for securing the clip to the instrument, and a plaque holder having openings formed therein cooperating with said prongs for securing the said plaque holder to the clip and writing instrument.

45 10. A writing instrument clip including in combination, a portion provided with means for permanently securing the clip to the instrument, plaque holding means on said portion, plaques each having means thereon for attaching the opposite edges of the plaques to the opposite edges of the plaque holding means one of said means being resilient and means for preventing relative sliding movement of the plaque and plaque holding means.

50 11. A writing instrument clip including in combination a portion provided with means for securing the clip to the instrument, and plaque holding means on said portion, of interchangeable plaques each having a pair of oppositely disposed flanges, means on the plaque holding means to engage said flanges and lips on the flanges engaging behind the flange engaging means.

55 12. A writing instrument clip including a clip body portion, means for securing the clip body portion to a writing instrument, and a plaque holder, said plaque holder being formed with an orifice therein through which the securing means penetrates to maintain the plaque holding means on the clip body portion.

60 13. A writing instrument clip including a clip body portion, means for securing the clip body portion to a writing instrument, additional means for securing the clip body portion to a writing instrument, and a plaque holder, said plaque holder being formed to cooperate with said additional securing means to position the plaque holder on the clip body portion.

65 14. A writing instrument clip including a clip body portion, means for securing the clip body portion to a writing instrument, additional means for securing the clip body portion to a writing instrument, and a plaque holder, said plaque holder being formed with a first means to cooperate with the means for securing the clip body portion, and a second means to cooperate with the additional securing means to maintain and position said plaque holder on said clip body portion.

70 15. A writing instrument clip including a clip body portion, means for securing the clip body portion to a writing instrument, additional means for securing the clip body portion to a writing instrument, and a plaque holder, said plaque holder being formed with notches in an edge therein cooperating with said additional securing means to maintain and position said plaque holder on the clip body portion.

75 16. A writing instrument clip including a clip body portion, means for securing the clip body portion to a writing instrument, additional means for securing the clip body portion to a writing instrument, and a plaque holder, said plaque holder being formed with an orifice therein through which the securing means penetrates, said plaque holder also being formed with notches in an edge thereof through which the additional securing means penetrates to maintain and position the plaque holder on the clip body portion.

17. The combination with a plaque holder having a body plate provided with flanges projecting from at least two opposite side edges, said holder having attaching means projecting rearwardly

therefrom for securing the body to an object, of a plaque comprising a body having flanges projecting rearwardly from two opposite side edges, said body plate flanges being adapted to spring apart and the flanges of the body plate and plaque being constructed and arranged for interlocking engagement upon the plaque being pressed into position from the front face of the body.

18. A writing instrument clip including in combination a clip portion, a body portion, a plaque holding portion, means for attaching one of said last mentioned portions to a writing instrument, and means for attaching the plaque holding portion to the body portion, of interchangeable plaques each having a pair of oppositely disposed flanges, means on said plaque holding portion to engage said flanges, and lips on the flanges engaging behind the flange engaging means of the holder.

19. A combination plaque holder and article clip comprising an elongated clip portion and a

plaque holding portion, said plaque holding portion being constructed and arranged to form with the clip portion a unitary structure and comprising an open box-like structure formed of thin sheet metal, means on said plaque holding portion for removably holding plaques, and means to prevent movement of said plaques in the plane of said plaque holder.

20. A combination plaque holder and article clip comprising an elongated resilient clip portion and a plaque holding portion, said plaque holding portion being constructed and arranged to form with the clip portion a unitary structure, means for attaching one of said portions to an article, said plaque holding portion comprising an open box-like structure formed of thin sheet metal and adapted to retain a plurality of metal plaques, and means to prevent sliding movement of said plaques relative to said plaque holder.

DAVID KAHN.